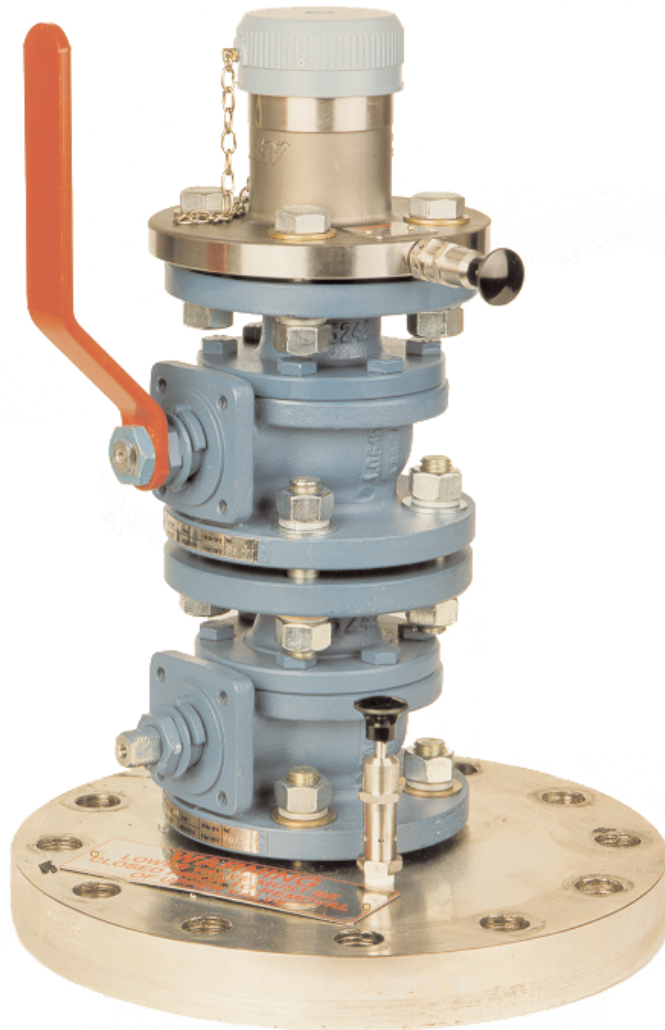


PRODUCTS - Control valves

GBMY 3806M2 1.5-INCH SAMPLING, VENT or DRAIN UNIT

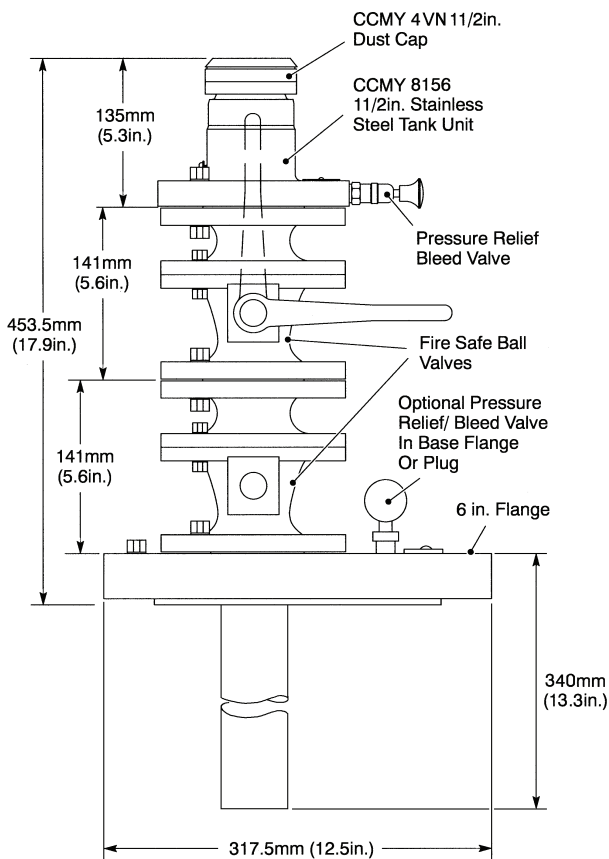


- Fits into standard 18-inch pit externals with six-inch ANSI class 300 flange
- Incorporates two 1.5-inch fire safe ball valves for extra security
- 1.5-inch stainless steel tank unit (adaptor)
- Base flange nickel plate to DEF STAN 03-05
- Accepts standard 1.5-inch hose unit (coupler) CCMY120, CCMY6153, CCMY8153
- Test Pressure 41 bar (600 psi)
- Max working pressure 19 bar (275 psi)
- Option of pre-fitted pipe in draining version

Specification and dimensions

GBMY 3806M2 valve is used in many airport hydrant systems as follows:

- Being fitted with a standard six-inch ANSI 300 (BS 1560) flange it can be installed in standard hydrant pit externals. Typically GBMY 4000 or GBMY 5000.
- Sampling - installed at a convenient point on a riser from the main hydrant line.
- Venting - installed at a high point in the hydrant line.
- Draining - Installed at a low point in the hydrant line (counter bore in flange for welding drain tube).



Important notes

- Only one operating handle is supplied for fire safe ball valves. The lower valve is left open at all times unless the upper valve is to be removed for servicing.
- Upper valve must be fully closed before operating pressure relief/bleed valve.
- Upper valve must always be closed when coupling or uncoupling 1.5-inch hose unit (CCMY120, CCMY6153, CCMY8153)

Operating procedure

1. Ensure upper valve is fully closed
2. Vent tank unit by pulling knob of pressure relief/bleed valve
3. Remove blanking cap
4. Connect 1.5-inch hose unit to tank unit
5. Open upper valve
6. Take required sample (or vent or drain)
7. Fully close upper valve
8. Uncouple hose unit
9. Replace blanking cap

Ordering information

When ordering please state whether one or two bleed valves are required.

GBMY 3806M2 selector

- | | |
|-----------------------|--|
| GBMY 3806M2-1 | 1.5-inch unit with single bleed valve |
| GBMY 3806M2-1A | as above with 1.5-inch seamless pipe to API SL grade B (40S) |
| GBMY 3806M2-2 | 1.5-inch unit with double bleed valve |
| GBMY 3806M2-3 | No coupler fitted, single bleed valve |

Avery-Hardoll
Holland Way
Blandford Forum
Dorset DT11 7BJ
UK

Whittaker Controls
12838 Saticoy St
North Hollywood
California 91605-3505
USA

Tel: +44 (0) 1258 486600
Fax: +44 (0) 1258 486601

Telephone: +1 818 765 8160
FAX: +1 818 759 2194

www.meggittfuelling.com

www.wkr.com
www.meggitt.com

MEGGITT