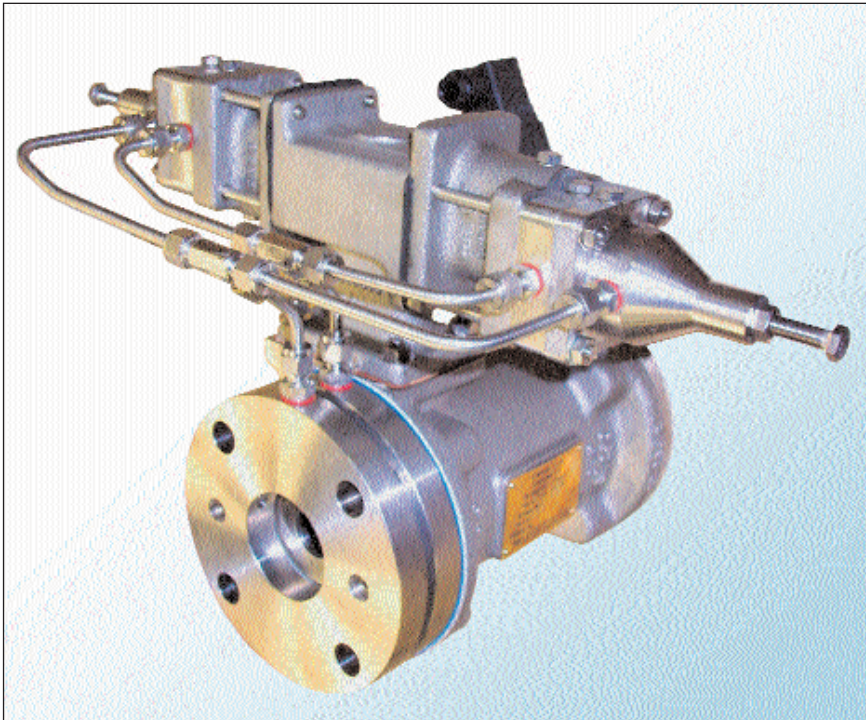


PRODUCTS - Control Valves

CONSTANT FLOW VALVE WITH DUAL PRESSURE REGULATOR CONTROL

Type SV - Avery-Hardoll brand



The valve shown above is a two-inch flow regulating servo valve which maintains a set flow/pressure across an orifice plate.

These valves have been successfully installed in fuel systems, regulating fuel flow as well as chilled water by-pass applications. Switched control between two set points provides a response time of approximately one second.

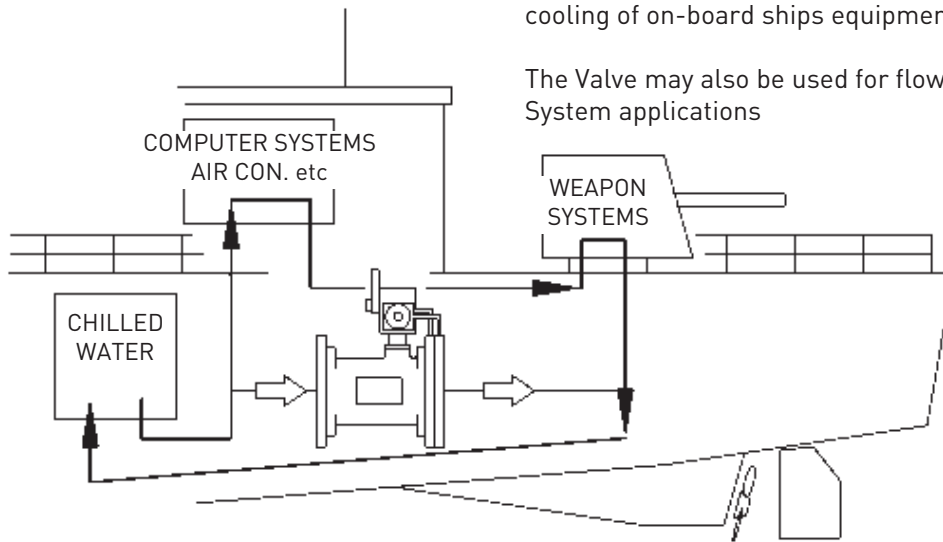
OPERATION

The flow/pressure control is via adjustable pilots connected to pressure ports either side of the orifice plate, the pilots are switched by means of an electrical solenoid. The orifice plate can be sized to give different flows/ pressures as required.

- Switched flow control between two set points
- No need for external control
- Aluminium or stainless steel variants
- Available in 2, 3, 4 or 6-inch variants
- Nato stock numbered

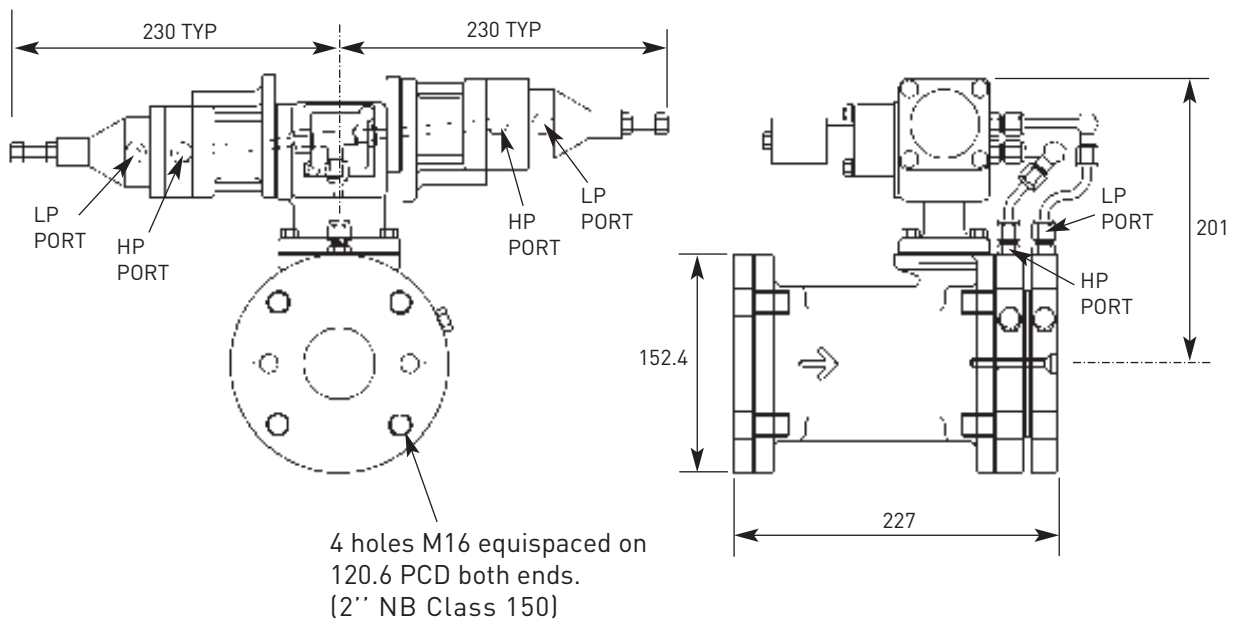
TYPICAL APPLICATION

Illustration shows the valve in a marine environment providing switched pressure control of chilled water for cooling of on-board ships equipment.



The Valve may also be used for flow regulation in Fuel System applications

SPECIFICATION



DIMENSIONS IN MM

Example shown is a two-inch Flow Valve
Designation: SV2060
Flow Rate: 75-115 GPM

Avery-Handoll
Holland Way
Blandford Forum
Dorset DT11 7BJ
UK

Whittaker Controls
12838 Saticoy St
North Hollywood
California 91605-3505
USA

Tel: +44 (0) 1258 486600
Fax: +44 (0) 1258 486601

Telephone: +1 818 765 8160
FAX: + 1818 759 2194

www.meggittfueling.com

www.wkr.com
www.meggitt.com

MEGGITT