

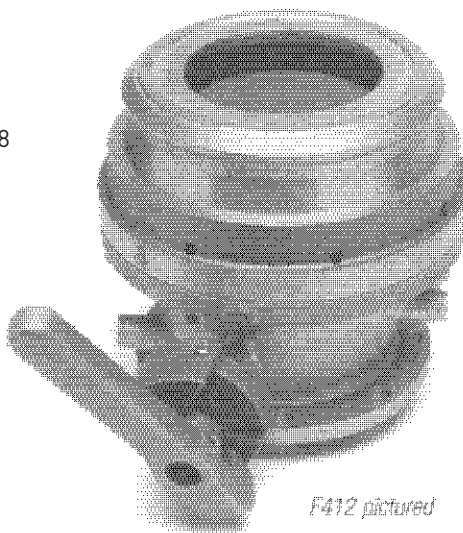
# Meggitt Fuelling Products

## Avery-Hardoll Whittaker Controls

## API ADAPTORS F412 AND F433

### Features

- Lightweight, rugged aluminum construction
- Mates Whittaker loading coupler F228 or others to API RP1 004
- Mates four-inch NTT flange
- Standard metal dust cover retained by rugged chain
- Normally closed or normally open brake interlock or vent actuation valves available - actuated by F228
- Mounting studs pre-drilled and tapped to accept later addition or brake interlock valve (two places, 1800 apart)



### Features - 412 only

- Available with special off-loading couplings to mate standard hose connections. Save as much as 12 pounds per adaptor in comparison to standard Y-type adaptors with only a minimal reduction in flow rate
- No internal camming surfaces in mechanism to generate metal chips
- Bonded poppet seal eliminates potential increase in spillage and pressure drop inherent in O ring seal designs

### Features - F433 only

- Dimensionally in accordance with API RP1004
- One-piece body - no external leak paths
- Iron and brass free content standard
- Seals suitable for use with fuels with high aromatic content
- Viton seals available as an option

### F412 Two-way API adaptor

The Whittaker F412 straight bottom loading two-way adaptor, made in accordance with the latest revision of API RP1004, is available for use as a loading and off-loading connection. See back of page for dimensions and flow curve. The unit can be obtained with a three-inch NTT flange as an option.

### F433 API Loading adaptor

Whittaker's F433 straight bottom loading adaptor is made in accordance with API RP1004 in several configurations to fit various system designs. The F433 is normally used as a loading adaptor only. It may be used to offload with an openable type coupler. The unit can be obtained with a three-inch NTT flange as an option. See back of page for dimensions of the base unit.

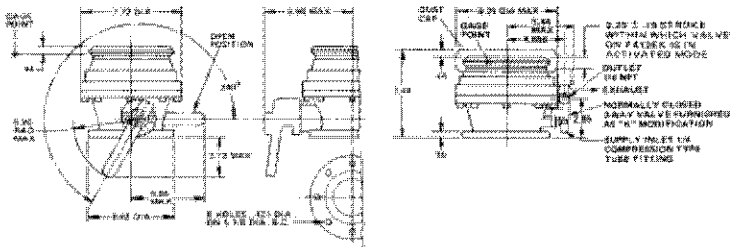
See the modification section of this catalog for various options to the part number listed above.

Contact your local Whittaker distributor or Whittaker directly for technical information beyond that listed in the technical section of this catalog.

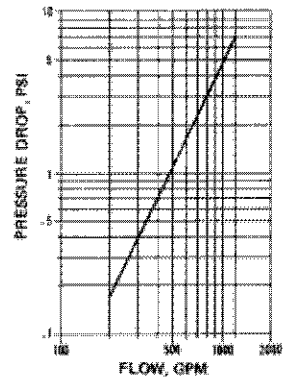
# MEGGITT

# API ADAPTORS F412 AND F433

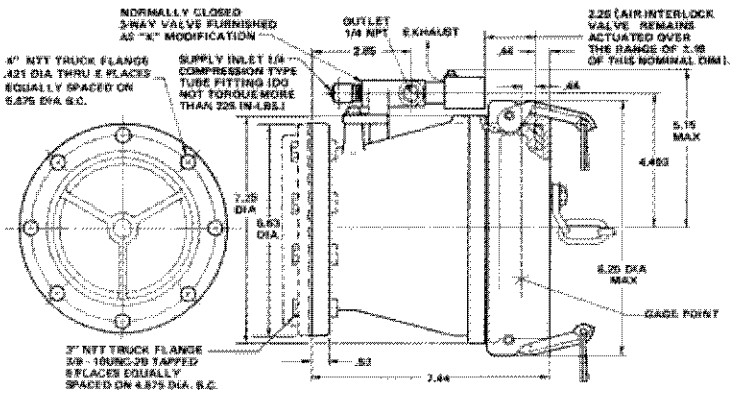
## F412 Dimensions



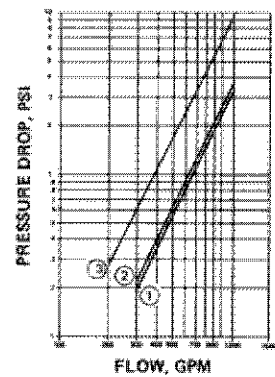
## F412 Flow Data



## F433 Dimensions



## F433 Flow Data



Avery-Hardoll  
Holland Way  
Blandford Forum  
Dorset DT11 7BJ  
UK

Whittaker Controls  
12838 Saticoy St  
North Hollywood  
California 91605-3505  
USA

Tel: +44 (0) 1258 486600  
Fax: +44 (0) 1258 486601

Telephone: +1 818 765 8160  
FAX: + 1818 759 2194

www.meggittfuelling.com

www.wkr.com  
www.meggitt.com

**MEGGITT**