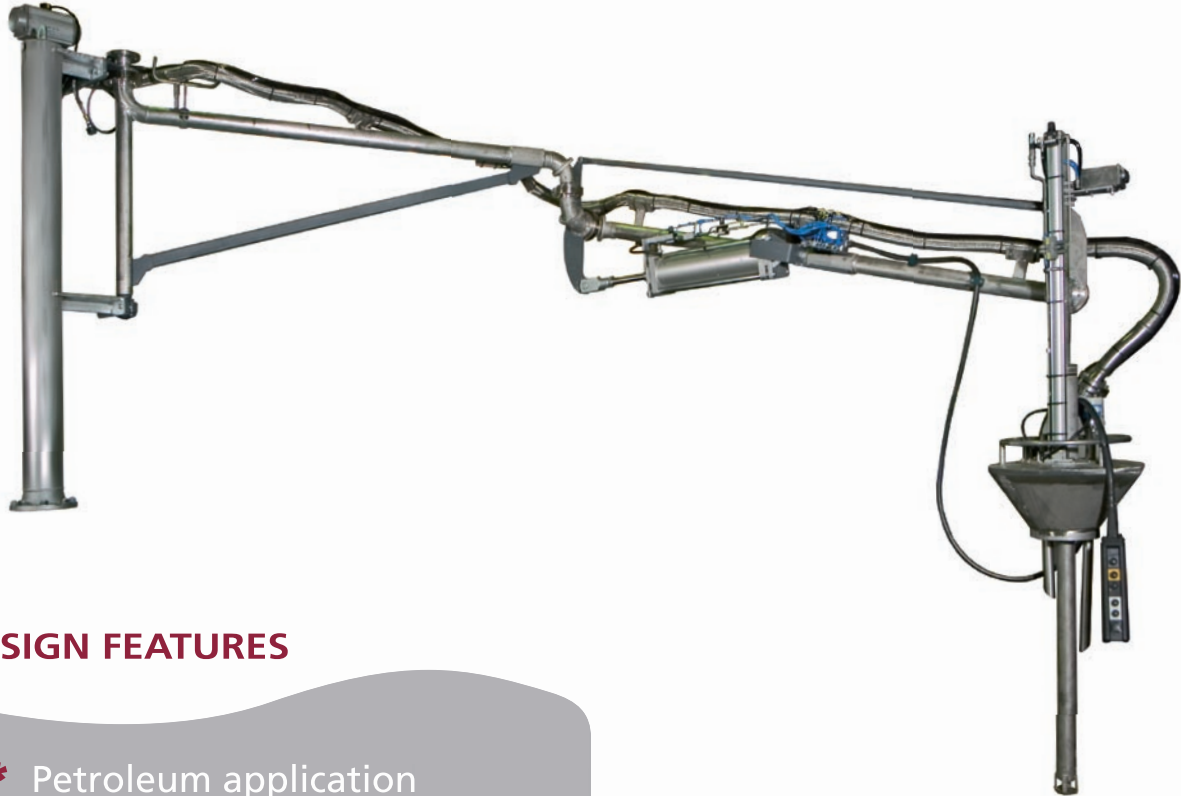


## E2630 | LOADING ARM WITH VAPOR RETURN HOSE



### DESIGN FEATURES

- \* Petroleum application
- \* Chemical application
- \* Long life
- \* Low maintenance
- \* Easy handling
- \* Material:  
carbon steel/alu,  
low temperature steel,  
stainless steel, PTFE-lined
- \* Temperature range  
from -50 °C to +50 °C
- \* Comprehensive range  
of safety accessories
- \* EMCO-high performance  
swivel joints

Loading arms with vapor return lines will be used for hydrocarbons (e.g. gasoline), toxic and aggressive media.

The E2630 consists of our reliable long reach loading arm combined with a hose for vapor return.

By loading with vapor return hose, the product vapor will be recovered through the loading arm. This improves the profitability of the terminal because vaporized product can be recovered and vapor does not pollute the environment. By loading with sealed man-hole a high level of protection is achieved for both, the operator and the environment.

Legal requirements and regulations (e.g. EU-Norm, German TA-Luft) can be met.

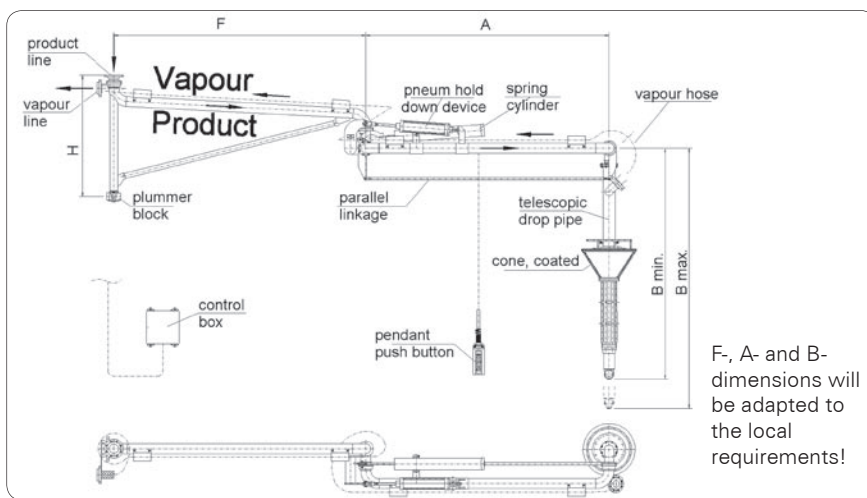
# E2630

# E2630 | LOADING ARM WITH VAPOR RETURN HOSE

## TECHNICAL DATA E2630

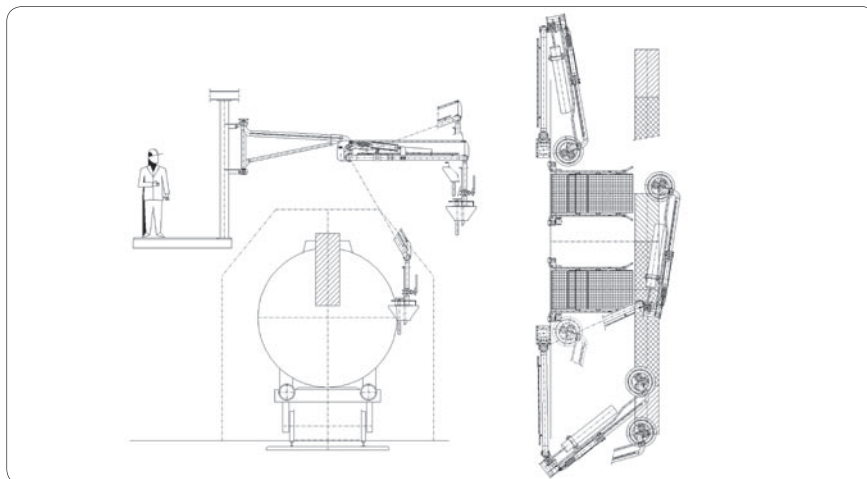
Size DN		Seals	Application range	Design	Accessories
Product	Vapor				
50	50	NBR, EPDM, PTFE, special materials	* High temperature on request	* Piggable	* Cover plate
80	50		* Heating of product line with steam, thermo-oil or electrically	* Acc. WHG acc. VbF (international)	* Cone
100	80				* Telescopic drop pipe
150	100			* Low temperature on request	

Alternative dimensions and materials on request



The E2630 is the most economical solution for the loading process with vapor return. Reliable and easy handling is given by small weight and little offset. An E2630 may also be used where the available space is limited, e. g. existing loading stations with low roof heights.

### TYPICAL APPLICATION:



**EMCO WHEATON**

A Gardner Denver Product

Better by Design



EMCO WHEATON GmbH  
Emcostraße 2-4 · 35274 Kirchhain · Germany  
Phone +49 6422 84-0 · Fax +49 6422 5100  
www.emcowheaton.com · info-de@emcowheaton.com